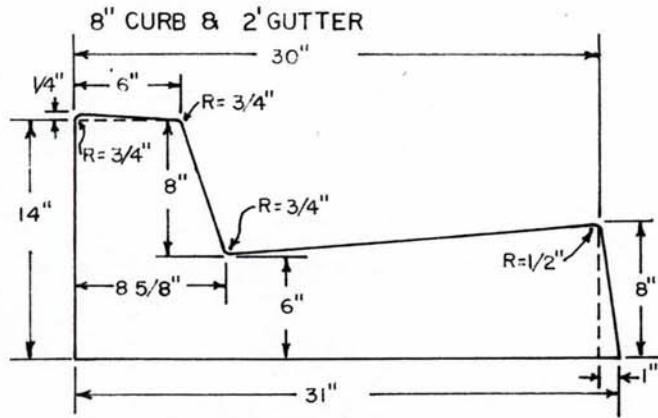
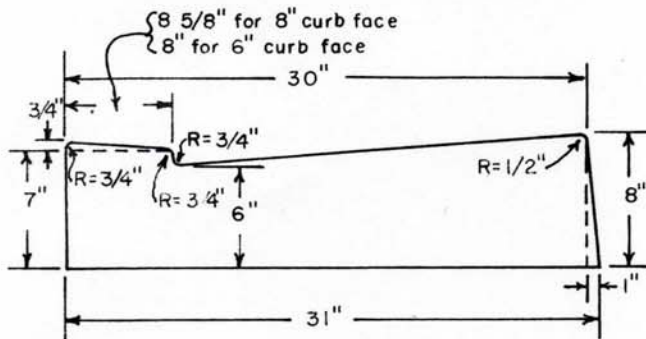


STANDARD CURB AND GUTTER

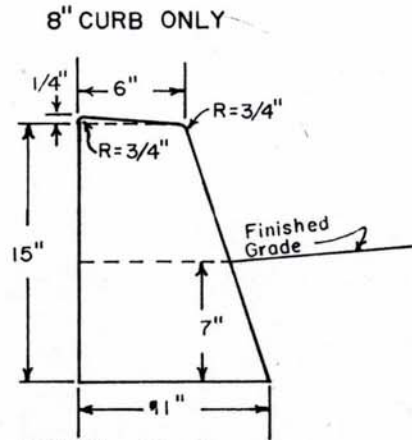


TYPE D-8

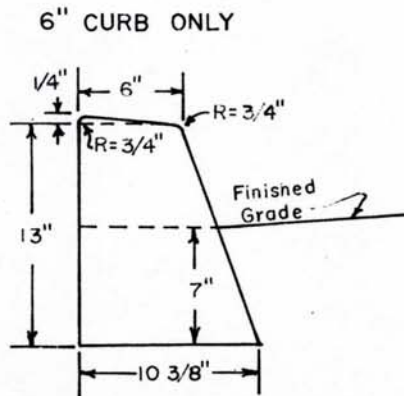
DEPRESSED CURB IN DRIVEWAY



TYPE D-6



TYPE G-8



TYPE G-6

NOTE:

1/2" Expansion Joints Shall Be Provided at Intervals of 20' ±.

CITY OF DOWNEY - DEPT. OF PUBLIC WORKS - ENGINEERING DIVISION

PROJECT: **STANDARD CURBS AND GUTTERS**

Des. By: _____
 Dwg. By: DWM
 Ck. By: W.H.
 App. By: *[Signature]*
 City Engineer

VERT. SCALE NONE
 HORIZ. SCALE NONE
 Sheet _____ of _____ Sheets
 Date _____
 DWG. NO. _____